

# Making the TS-930 “DIM” button work with LED’s in the Panel Meter

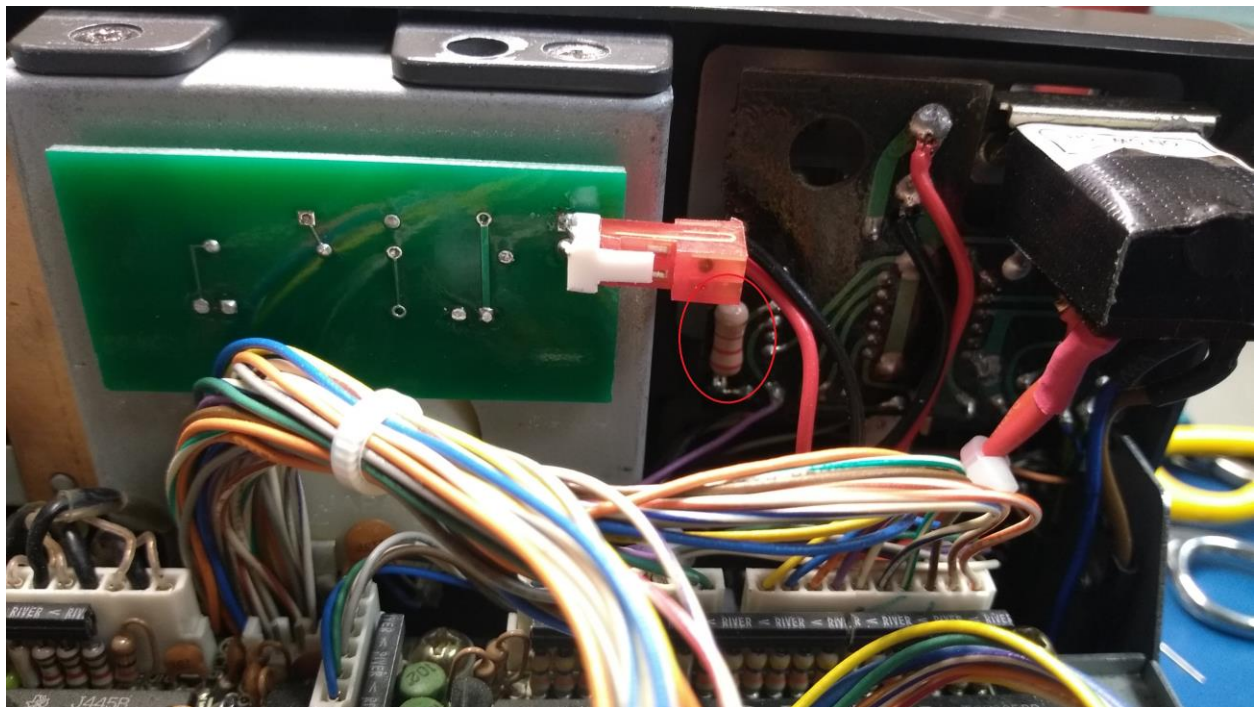
---

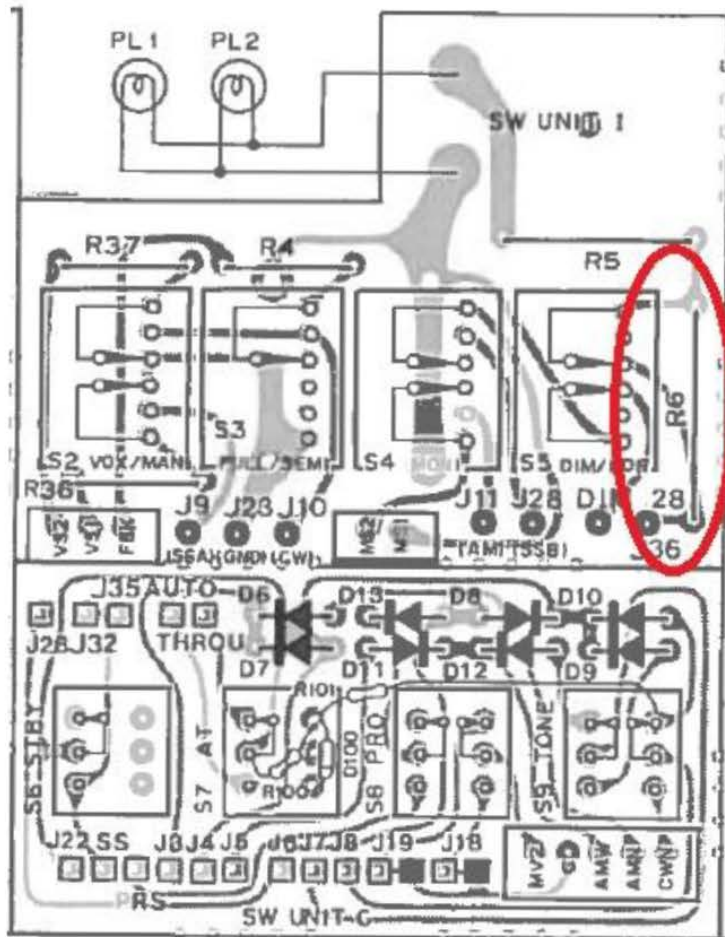
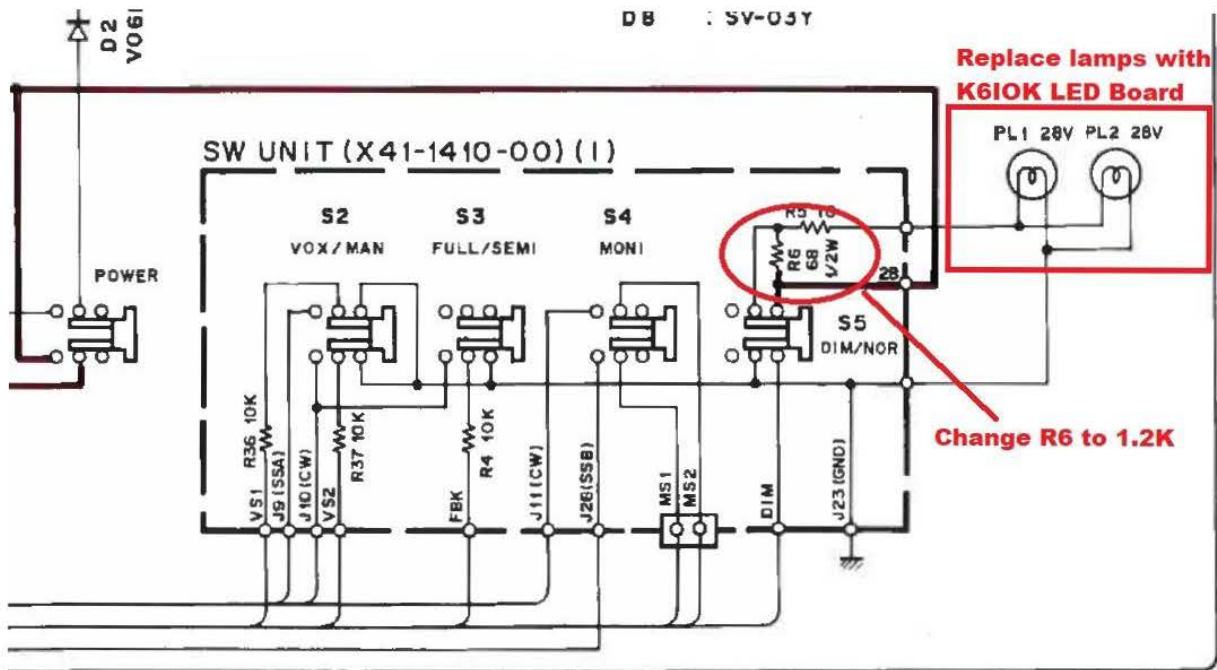
Just to the right of the connector on the beautiful KI60K meter LED board, you can see a RED circle around a 1.2K resistor. This is Resistor R6, originally a 68 Ohm ½ watt resistor on the front side of the switch unit (Switch Unit “1”).

Replacing R6 is relatively simple with a bit of care. By removing the meter (two screws on the top of the panel fascia, you can then see the resistor on the edge of the front facing side of the board. You can easily use some solder wick to remove the solder on each end from the traces on the back side of the board, and using tweezers gently remove the resistor. Or, you can simply snip its leads.

Then, simply replace it with a 1.2K Ohm resistor soldered to the traces on the back side of the board.

Done – the LED voltage now switches between 28V and 6V, and the LED’s dim perfectly.





Dave Phillips, KB7JS