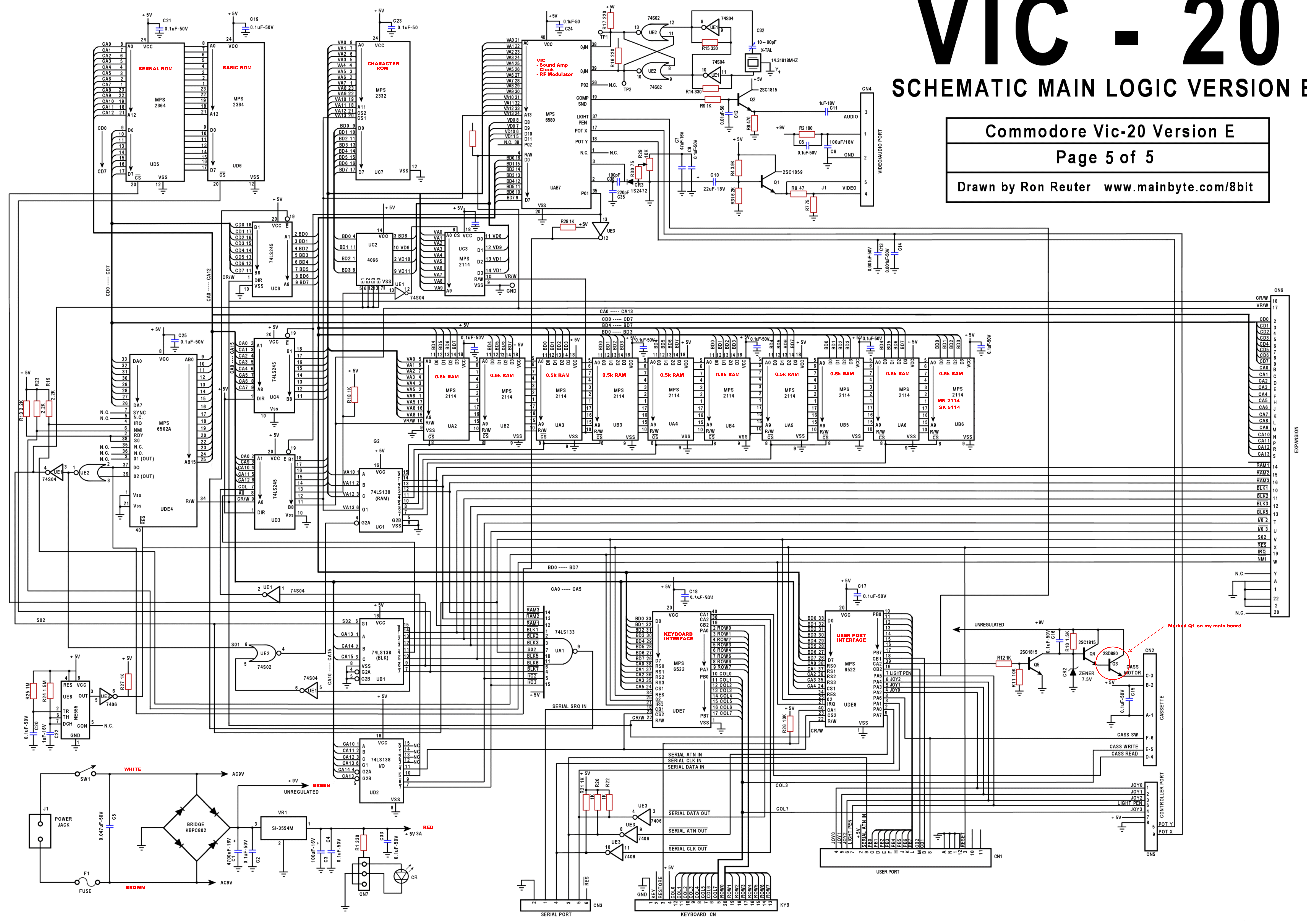


# VIC - 20

## SCHEMATIC MAIN LOGIC VERSION E

Commodore Vic-20 Version E  
 Page 5 of 5  
 Drawn by Ron Reuter www.mainbyte.com/8bit



Marked Q1 on my main board